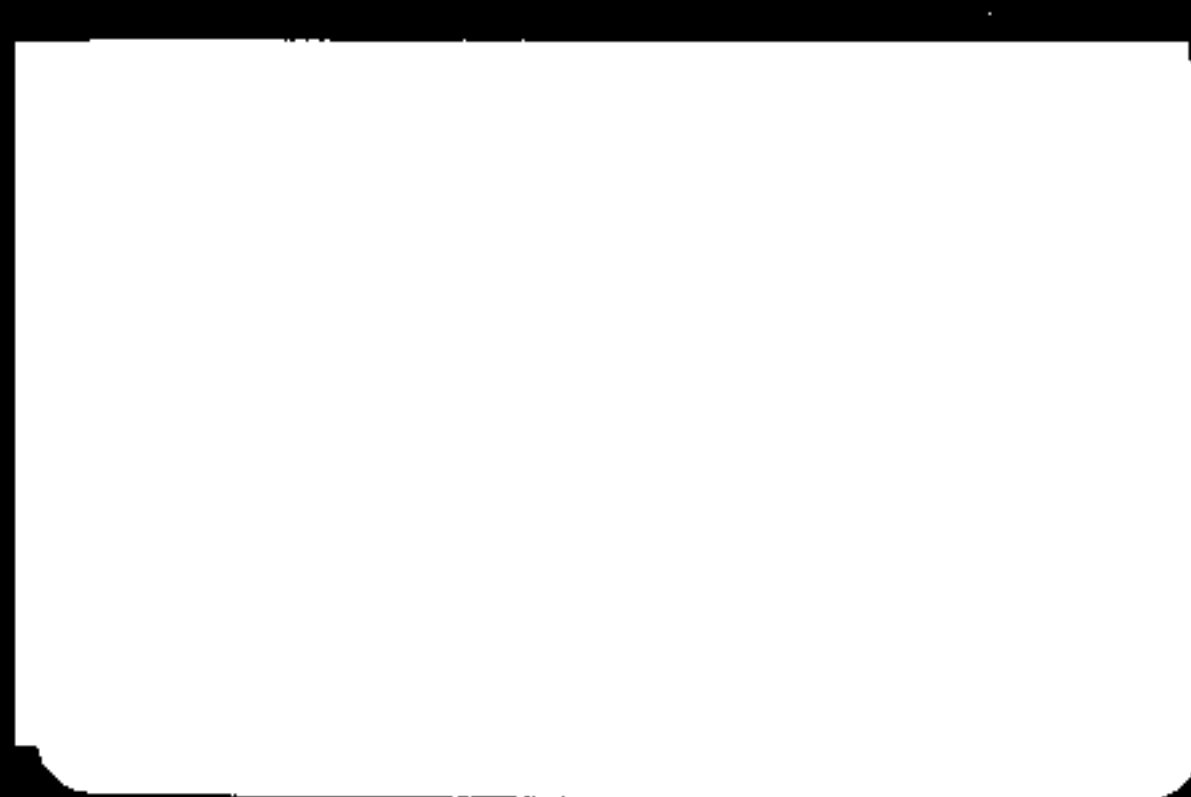


3  
SER

MANUAL

1072/1050



**marantz**

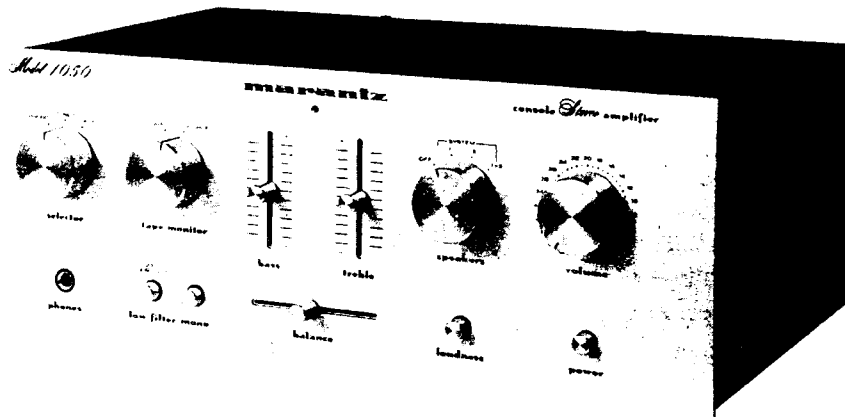
model 1072/1050

*Stereophonic Amplifier*

## TABLE OF CONTENTS

SECTION	PAGE
1. INTRODUCTION .....	1
2. PRE-AMPLIFIER .....	1
3. MAIN AMPLIFIER .....	1
4. TROUBLESHOOTING ANALYSIS .....	1
5. POWER AMPLIFIER ADJUSTMENT .....	1
6. TEST EQUIPMENT REQUIRED FOR SERVICING .....	2
7. PERFORMANCE VERIFICATION .....	2
8. VOLTAGE CONVERSION .....	5
9. SCHEMATIC DIAGRAM (Model 1072 and Model 1050) .....	6, 8
10. DIAGRAM AND COMPONENT LOCATIONS .....	10
10.1 Main Assembly (P700) Schematic Diagram and Component Locations .....	10
10.2 LED Lamp Assembly (PY00) Schematic Diagram and Component Locations .....	10
10.3 Loudness Assembly (PS00) Schematic Diagram and Component Locations .....	10
10.4 Volume Assembly (PS50) Schematic Diagram and Component Locations .....	11
10.5 Tone Assembly (PF00) Schematic Diagram and Component Locations .....	12
11. BLOCK DIAGRAM .....	13
12. EXPLODED VIEW AND PARTS LIST .....	14
13. ELECTRICAL PARTS LIST .....	20
14. TECHNICAL SPECIFICATIONS .....	24

M 7041



## 1. INTRODUCTION

This service manual was prepared for use by Authorized Warranty Stations and contains service information for the Marantz Model 1050/1072 Stereo Console Amplifier. Servicing information and voltage data included in this manual are intended for use by knowledgeable and experienced personnel only. All instructions should be read carefully. No attempt should be made to proceed without a good understanding of circuitry operation.

The parts list furnishes complete ordering information. Most replacement parts should be ordered from the Marantz Company. However, a simple description is included for parts which can be obtained locally.

## 2. PRE-AMPLIFIER

Signals from the TUNER and AUX terminals are taken to the SELECTOR SWITCH (SV01).

Signals from the PHONO terminals pass through the phono amplifier (Q401, Q403 and Q405) where they are amplified by 36dB and at the same time undergo RIAA equalization, before going to the SELECTOR SWITCH (SV01). (In the case of the Model 1072, signals coming in from the PHONO 1 and PHONO 2 terminals are selected by means of the SELECTOR SWITCH and then taken to the PHONO amplifier).

After being selected by the SELECTOR SWITCH, the incoming signals are taken to the TAPE MONITOR switch and TAPE OUT terminals.

Signals which enter from the TAPE IN terminals are taken to the TAPE MONITOR SWITCH.

Signals which are selected by the TAPE MONITOR SWITCH are taken to the MONO SWITCH BALANCE and VOLUME potentiometers, and then enter the preamplifier (QE01 and QE03). The preamplifier has a gain of 19dB and also serves as a tone control amplifier, with the frequency response being controlled by the BASS and TREBLE controls.

After passing through the preamplifier, the signals enter the main amplifier.

## 3. MAIN AMPLIFIER

The main amplifier contains an NF type high pass filter network which can be switched in and out of circuit by means of the LOW FILTER switch.

## 4. TROUBLESHOOTING ANALYSIS

1. Excessive line consumption
  - a. Check for shorted Q806 through Q809.
  - b. Check for shorted transistor Q715, through Q718.
  - c. Check for open Q709, Q710, R717, R718.
2. No line consumption or zero bias voltage
  - a. Check line cord, fuse, check for shorted Q709, Q710, Q717, Q718.
  - b. Check for open rectifiers Q806 through Q809 or open L001.
3. High hum and noise level
  - a. Check filter capacitors C808, C809, C801, C803, Q801.

## 5. POWER AMPLIFIER ADJUSTMENT

### ADJUSTMENT OF IDLING CURRENT

Connect a DC voltmeter to between emitters Q715 and Q717. Adjust R717 until 11 mV is reached. Likewise, adjust Q716, Q718 and R718.



## 6. TEST EQUIPMENT REQUIRED FOR SERVICING

Table 1 lists the test equipment required for servicing the Model 1050/1072 Stereo Console Amplifier.\* The wattmeter, AC voltmeter, and variable autotransformer may be assembled as a test fixture as shown schematically in Figure 1. The load resistors and AC ammeter may be assembled into a second test fixture as shown in Figure 2.

Line Switch	OFF
Variable-line switch	Variable
Wattmeter Switch	ON
Variable Autotransformer	0 V (fully CCW)
Load	8 ohms (0.5 mfd—OFF)
Audio Generator	1 kHz
Output	5 V range
Gain	Minimum
AC Voltmeter	30 V range

## 7. PERFORMANCE VERIFICATION

### TEST PROCEDURE

#### A. TEST EQUIPMENT

Refer to Table 1 for required test equipment.

#### B. PRELIMINARY PROCEDURES

1. Make the test setup shown in Figure 1 with the instrument controls set in the following positions:

1. Make sure that connections between the resistive load and the system terminals of the Model 1050/1072 have negligible resistance when compared with the resistance of the load itself. Appreciable resistance in wiring adds to the total load, resulting in inaccurate measurements of output power.
3. Connect amplifier output to load and connect AC cord to line power. Connect shorting plugs to the Phono input jacks of the Model 1050/1072.

Table 1. Test Equipment Required for Servicing

Item	Manufacturer and Model No.	Use
Distortion Analyzer Audio Oscillator AC Voltmeter	Sound Technology Model 1700B	Distortion measurements Sinewave and squarewave signal source voltage measurements (AC)
Oscilloscope	Tektronix Model T932 Philips Model 3232	Waveform analysis and trouble shooting and ASO alignment
Circuit Tester		Trouble shooting
DC Voltmeter	Fluke Model 8000 "Digital" Simpson Model 313, Triplet Model 801	Voltage measurements (DC)
AC Wattmeter	Simpson Model 1379	Monitors primary power to amplifier
AC Ammeter	Commercial Grade (1 ~ 10 A)	Monitors amplifier output under short circuit condition
Line Voltmeter	Simpson Model 1359	Monitors potential of primary power to amplifier
Variable Autotransformer	Superior Electronic Co., Powerstet Model 116B-10A	Adjusts level of primary power to amplifier
Shorting Plug	Use phono plug with 600 ohm across center pin and shell	Shorts amplifier input to eliminate noise pickup
Output Load (8 ohms, $\pm 0.5\%$ 100 W)	Commercial Grade	Provides 8-ohm load for amplifier output termination
Output Load (4 ohms, $\pm 0.5\%$ 100 W)	Commercial Grade	Provides 4-ohm load for amplifier output termination
Output Load Capacitor (0.5 mfd)	Mylar	Provides capacitive load for instability checks
AC Power Control Box	Optional Item. Fabricate in accordance with Figure 1	Monitors and controls primary power for amplifier
Amplifier Output Load Box	Optional Item. Fabricate in accordance with Figure 2	Provides various amplifier loads and can monitor shorted output

M 70 43

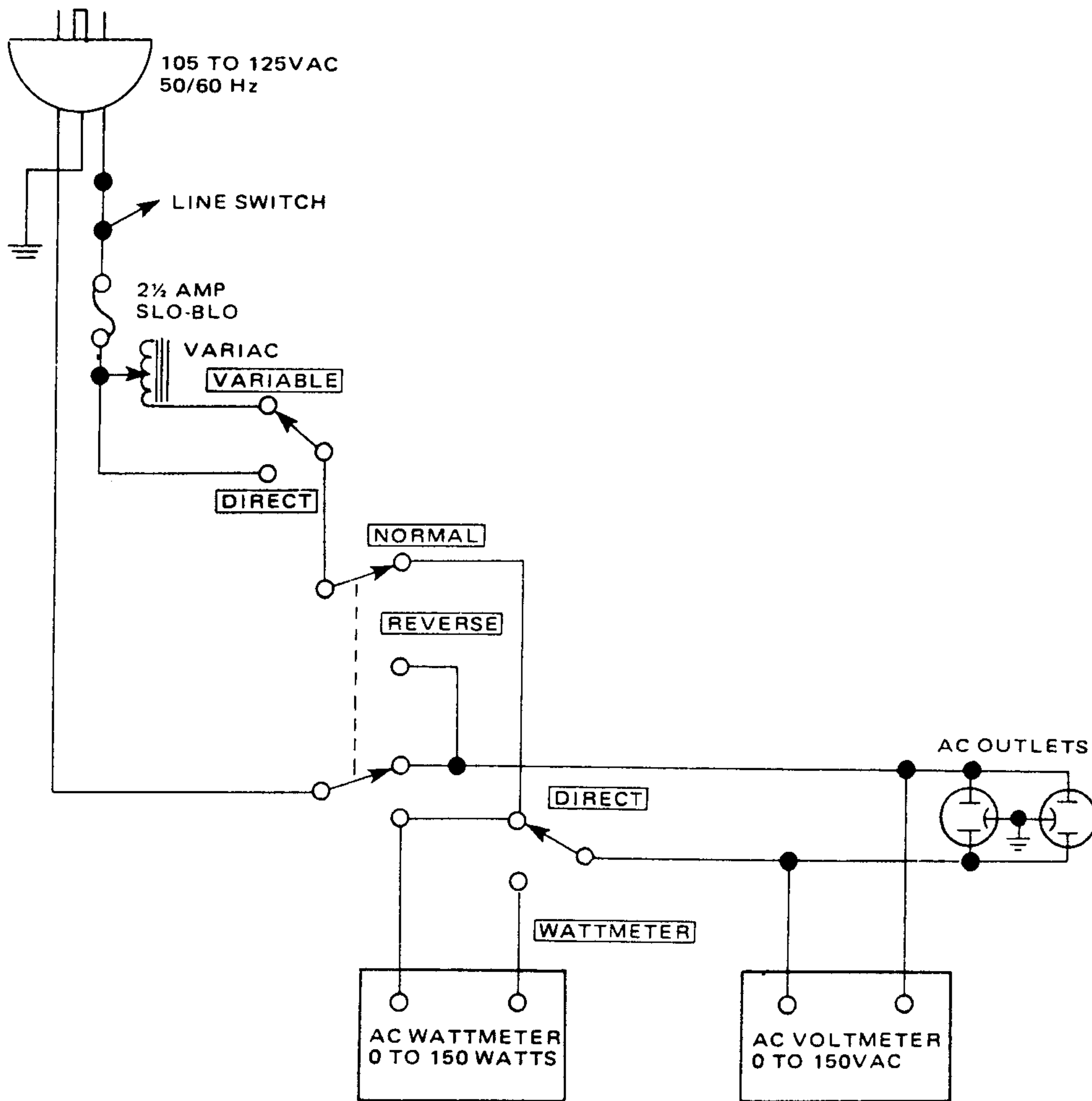


Figure 1. AC Power Control Box Simplified Schematic

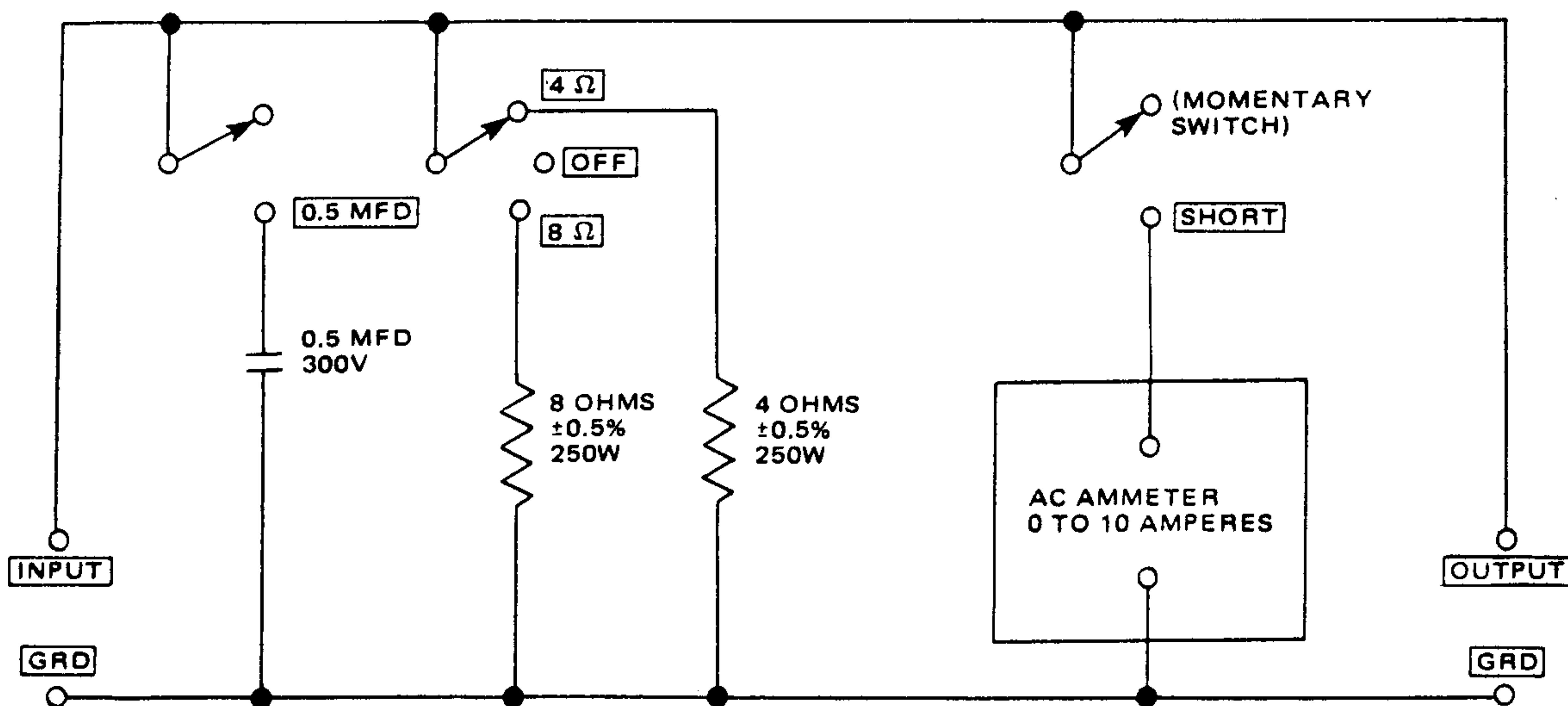


Figure 2. Amplifier Output Load Box Simplified Schematic

### C. TOTAL HUM AND NOISE TEST

1. With shorting plugs connected to the Phono input jacks and an 8 ohm resistive load connected across the speaker system output terminals, connect a distortion analyzer across the load.

**NOTE:**

If the distortion analyzer does not contain a built-in voltmeter, an AC VTVM may be substituted.

2. Set the distortion analyzer controls for voltage measurements and apply power to the amplifier. Set the volume control fully CCW. Set the SELECTOR switch to PHONO.
3. If the distortion analyzer indicates more than 2.0 mV refer to the trouble analysis section of this manual.
4. Set the volume control fully CW. If the distortion analyzer indicates more than 20 mV, refer to the trouble analysis section of this manual.

### D. MAXIMUM POWER OUTPUT

1. Connect the audio oscillator to the AUX input. Set audio oscillator frequency to 1 kHz. Set SELECTOR switch to AUX.
2. With the distortion analyzer connected across the output load (8-ohm), set the analyzer on the 30 VAC scale.
3. Turn the analyzer on and increase the audio oscillator output to 180 mV. The AC VTVM should read 17 VAC (14.1 VAC For Model 1050 only) or more.

### E. HARMONIC DISTORTION TEST

1. Set the frequency of the audio oscillator and the distortion analyzer to 20 kHz.
2. Set the controls of the analyzer for voltage measurement on the 30 volt scale.
3. Adjust the audio oscillator output level until the analyzer meter indicates 17 VAC. (14.1 VAC For Model 1050 only)
4. Switch the distortion analyzer to Set Level and adjust SENSITIVITY for full scale reading on 0 ~ 1% scale.
5. Measure the total harmonic distortion with the analyzer and verify it is less than 0.1%.

**NOTE:**

Any parasitic oscillation in the amplifier will be displayed on the oscilloscope when capacitance is switched into the load.

6. Switch the distortion analyzer back to SET LEVEL. (Do not readjust sensitivity of analyzer.)
7. Change the frequency of the audio oscillator and distortion analyzer to 1 kHz. Adjust audio oscillator output for a full scale reading on the 0 ~ 1% scale.
8. Measure the distortion, verifying it is no greater than 0.1%.
9. Repeat steps 7 and 8, changing frequency to 20 Hz. Distortion should be no more than 0.1%.
10. Check for parasitic oscillation; there should be none.

### 8. VOLTAGE CONVERSION

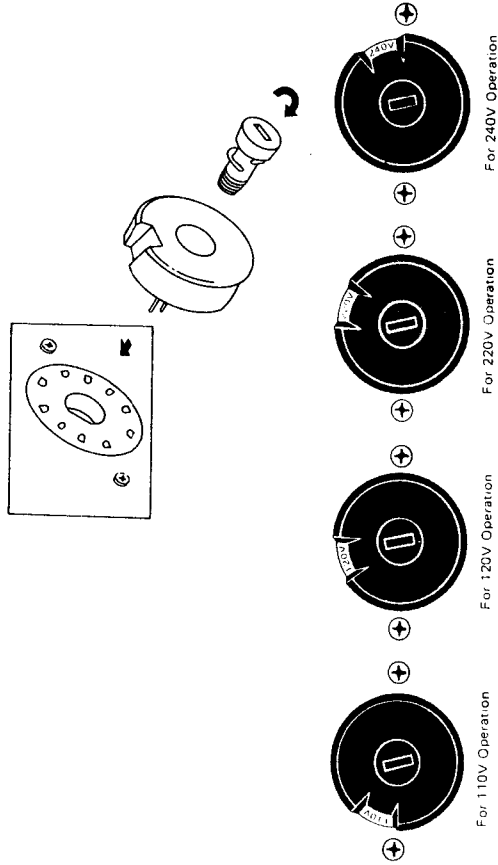
● EUROPEAN MODEL ONLY

This Model is equipped with a universal power transformer to permit operation at 110, 120, 220 and 240 V AC 50/60 Hz. To convert the unit to the required voltage, set the plug as illustrated so that you can adjust the voltage as required.

**CAUTION**

DISCONNECT POWER SUPPLY CORD FROM AC OUTLET BEFORE CONVERTING VOLTAGE.

Figure 2. Voltage Conversion Chart



M7045



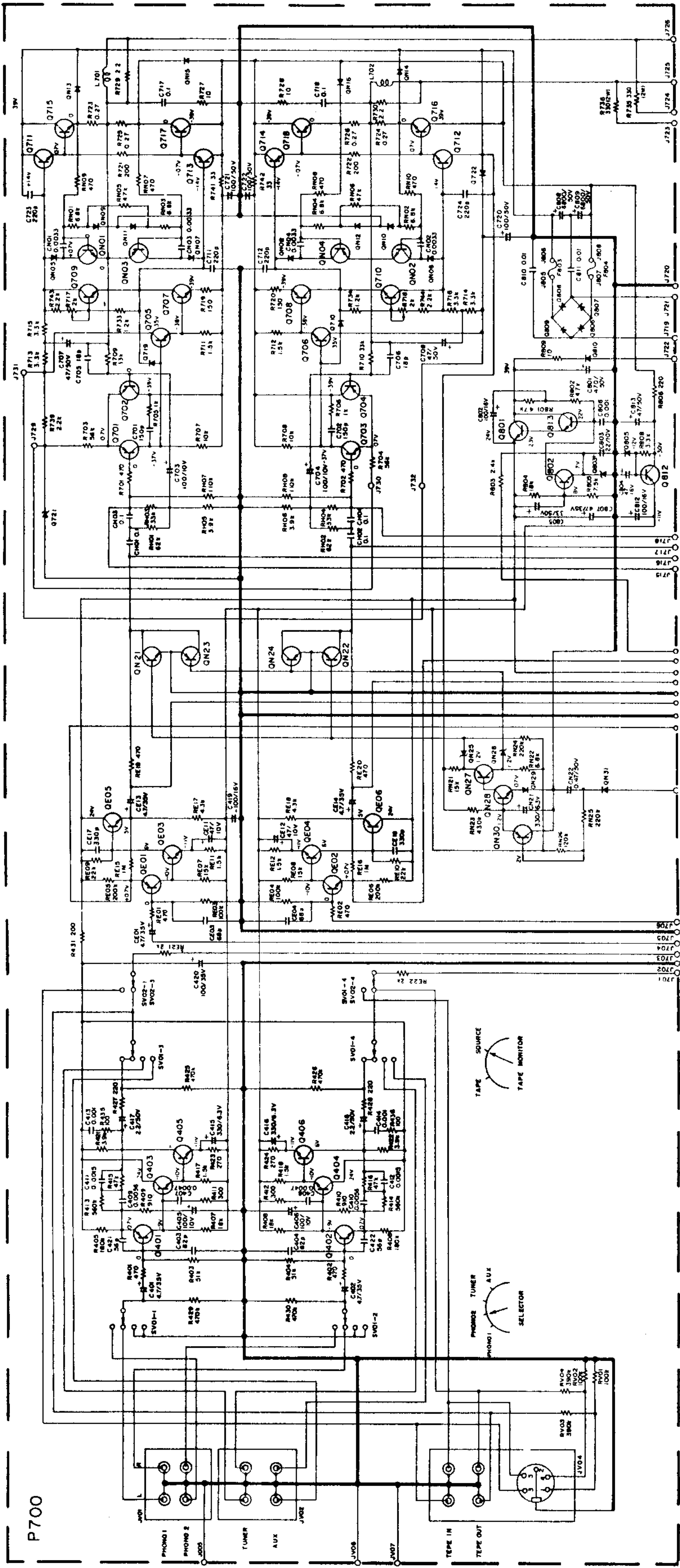




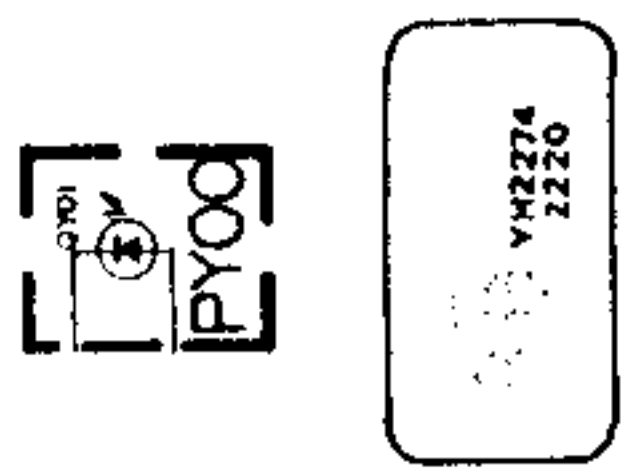


1. DIAGRAM AND COMPONENT LOCATIONS

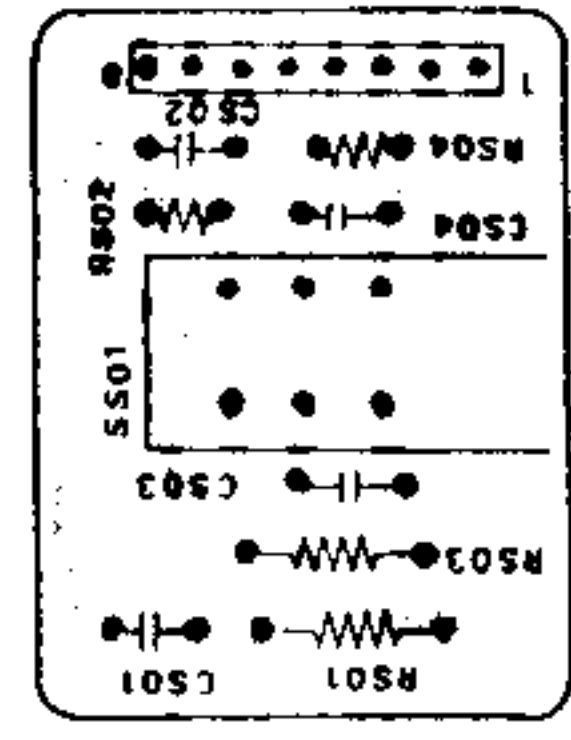
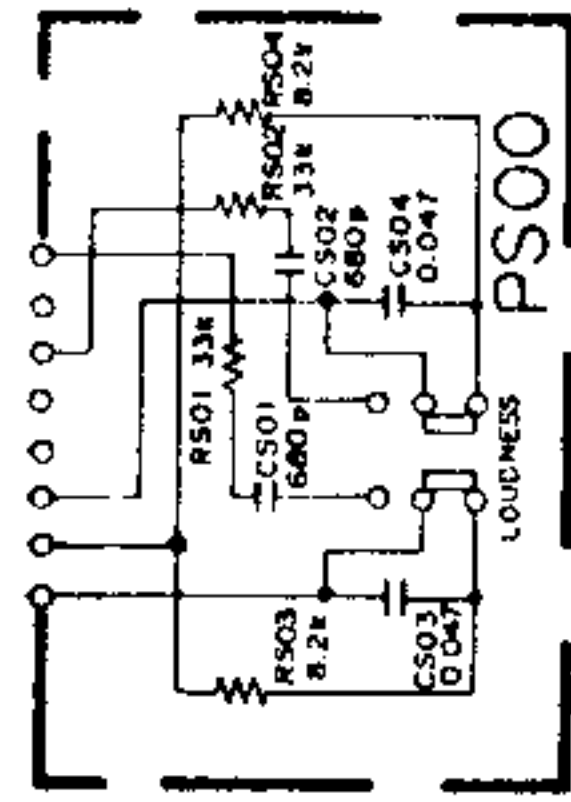
1.1 Main Assembly (P700) Schematic Diagram and Component Locations



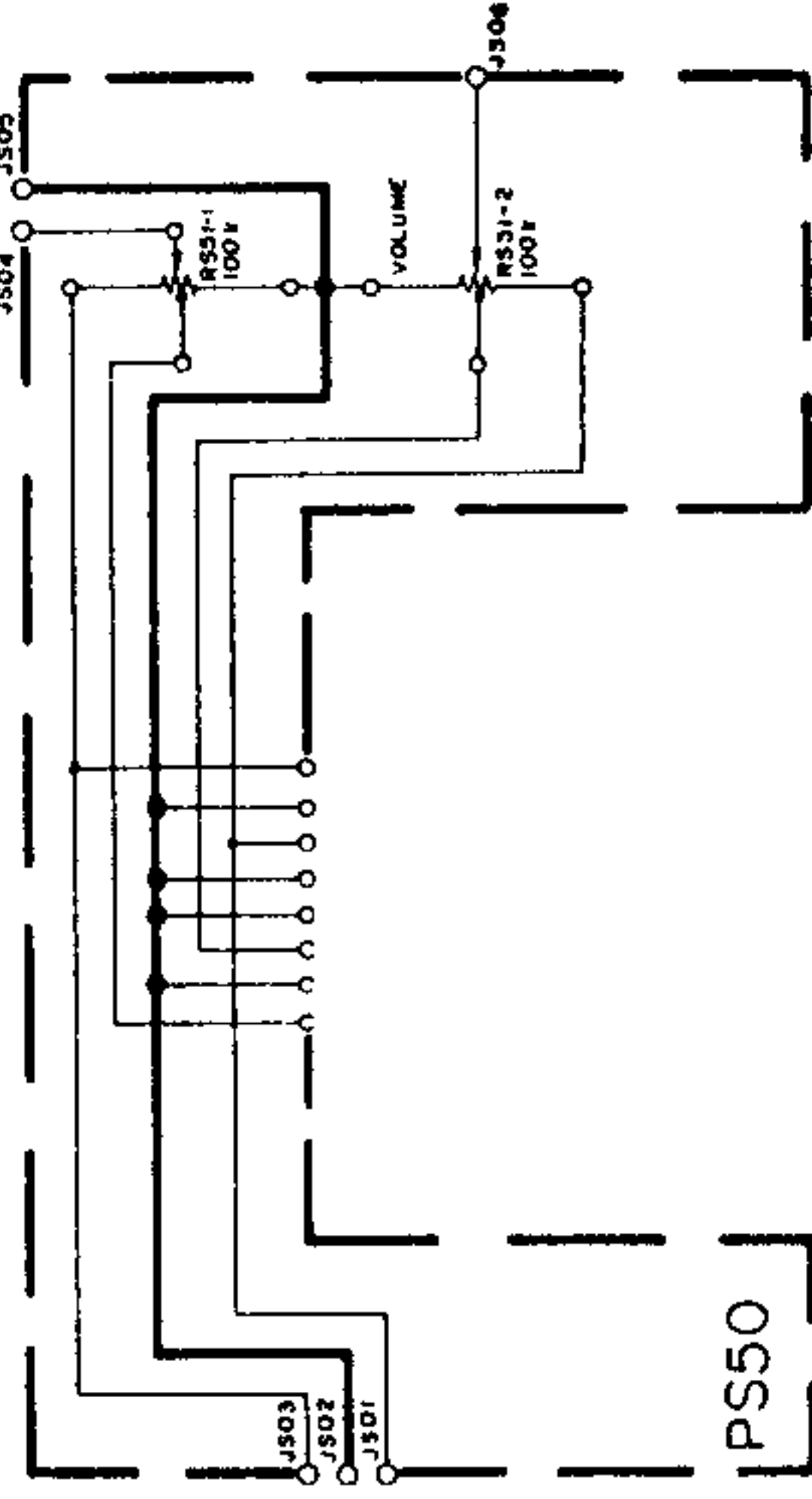
1.2 ED Lamp Assembly (PY00) Schematic Diagram and Component Locations

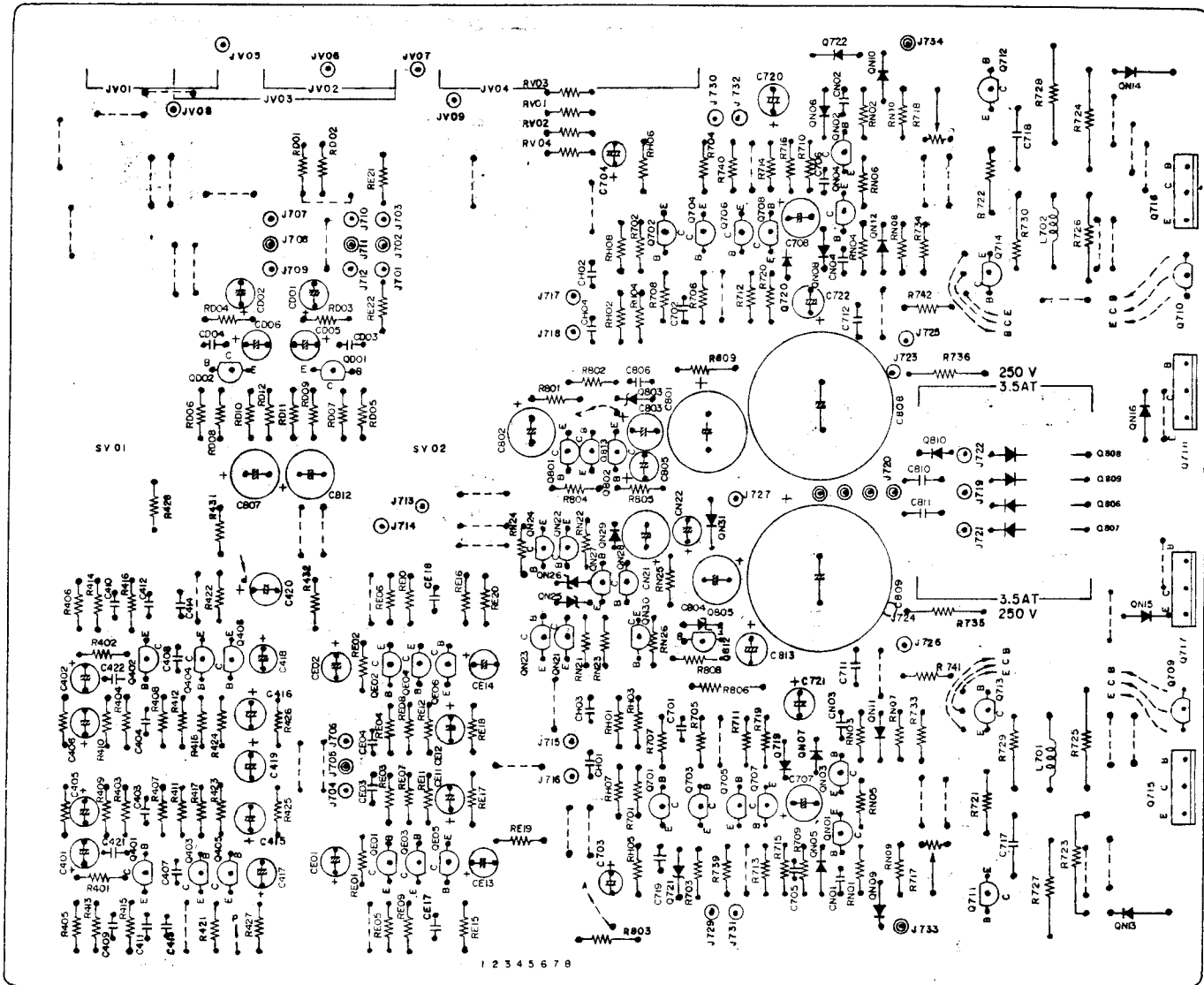


10.3 Loudness Assembly (PS00) Schematic Diagram and Component Locations

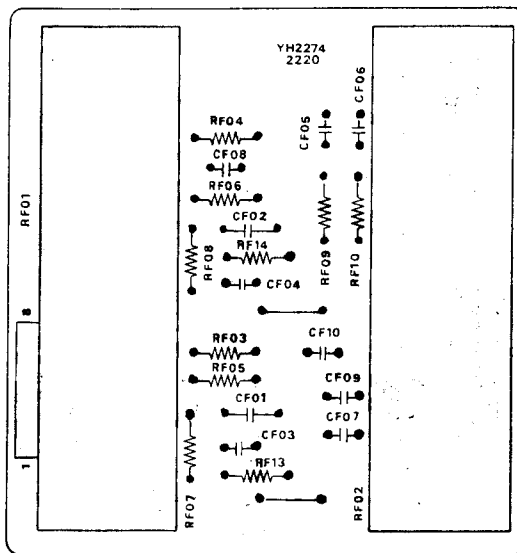
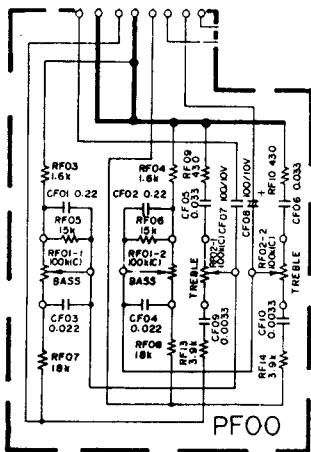


10.4 Volume Assembly (PS50) Schematic Diagram and Component Locations



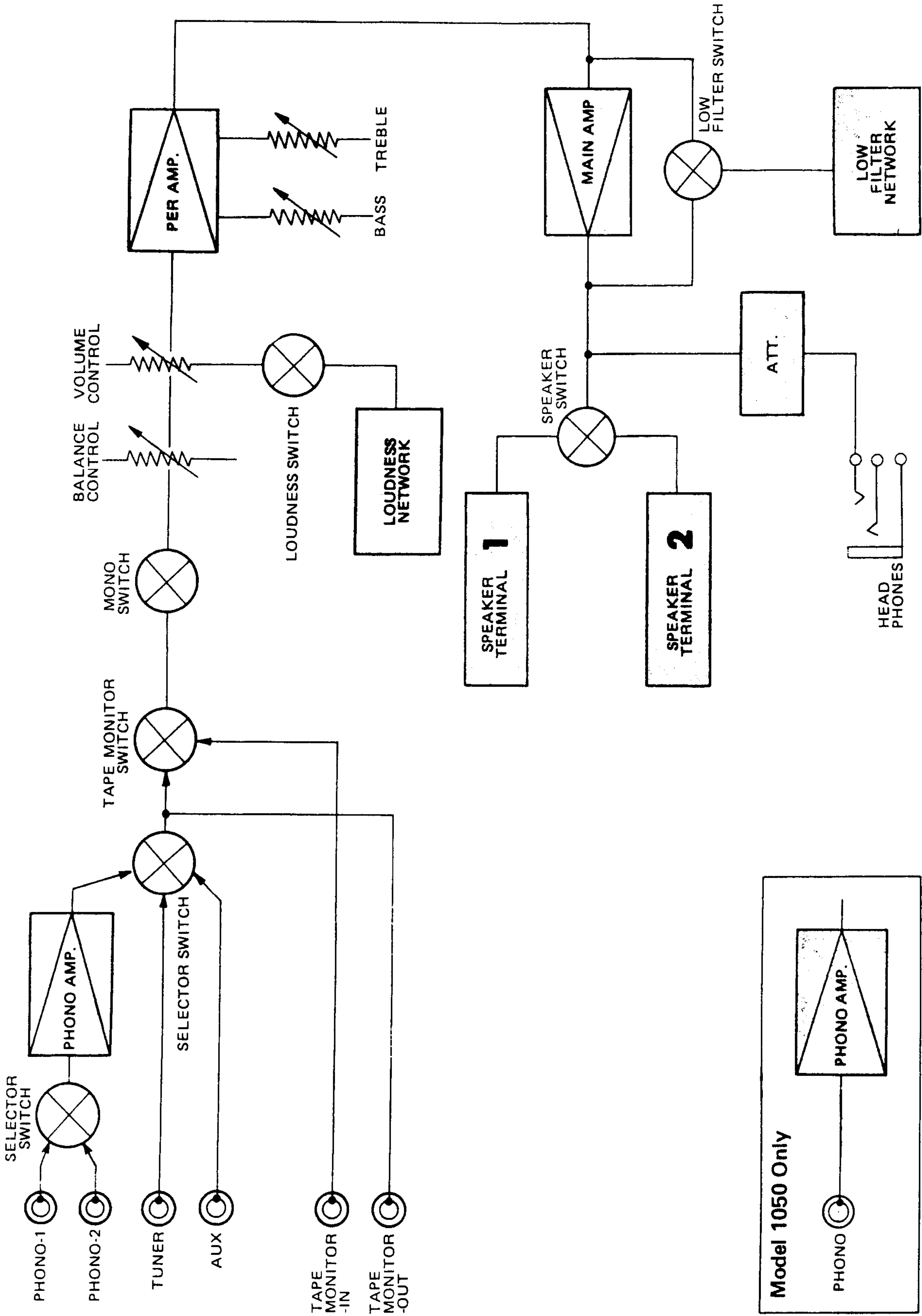


10.5 Tone Assembly (PF00) Schematic Diagram and Component Locations



M7049

11. BLOCK DIAGRAM

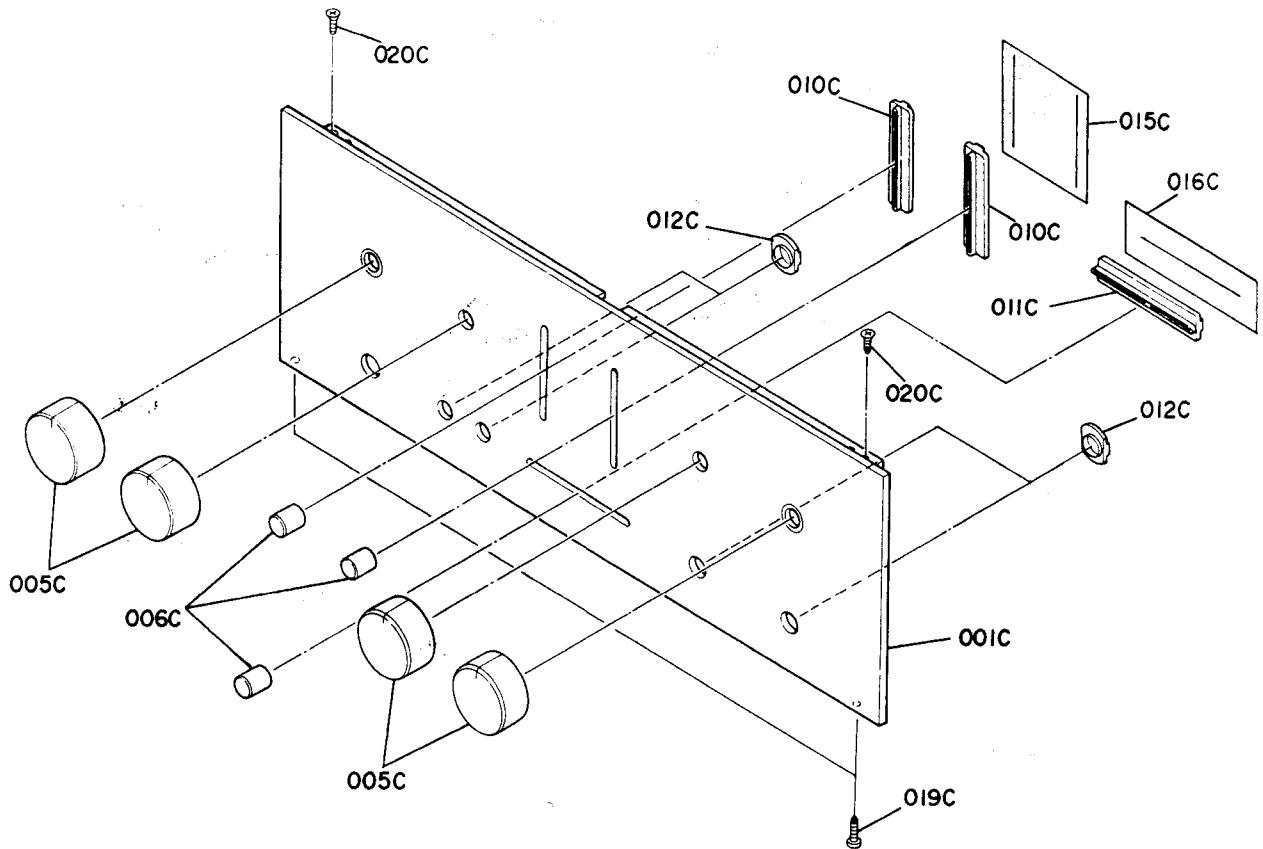


M7050



## 12. EXPLODED MECHANICAL DIAGRAM

### • [C01-99] Front Panel

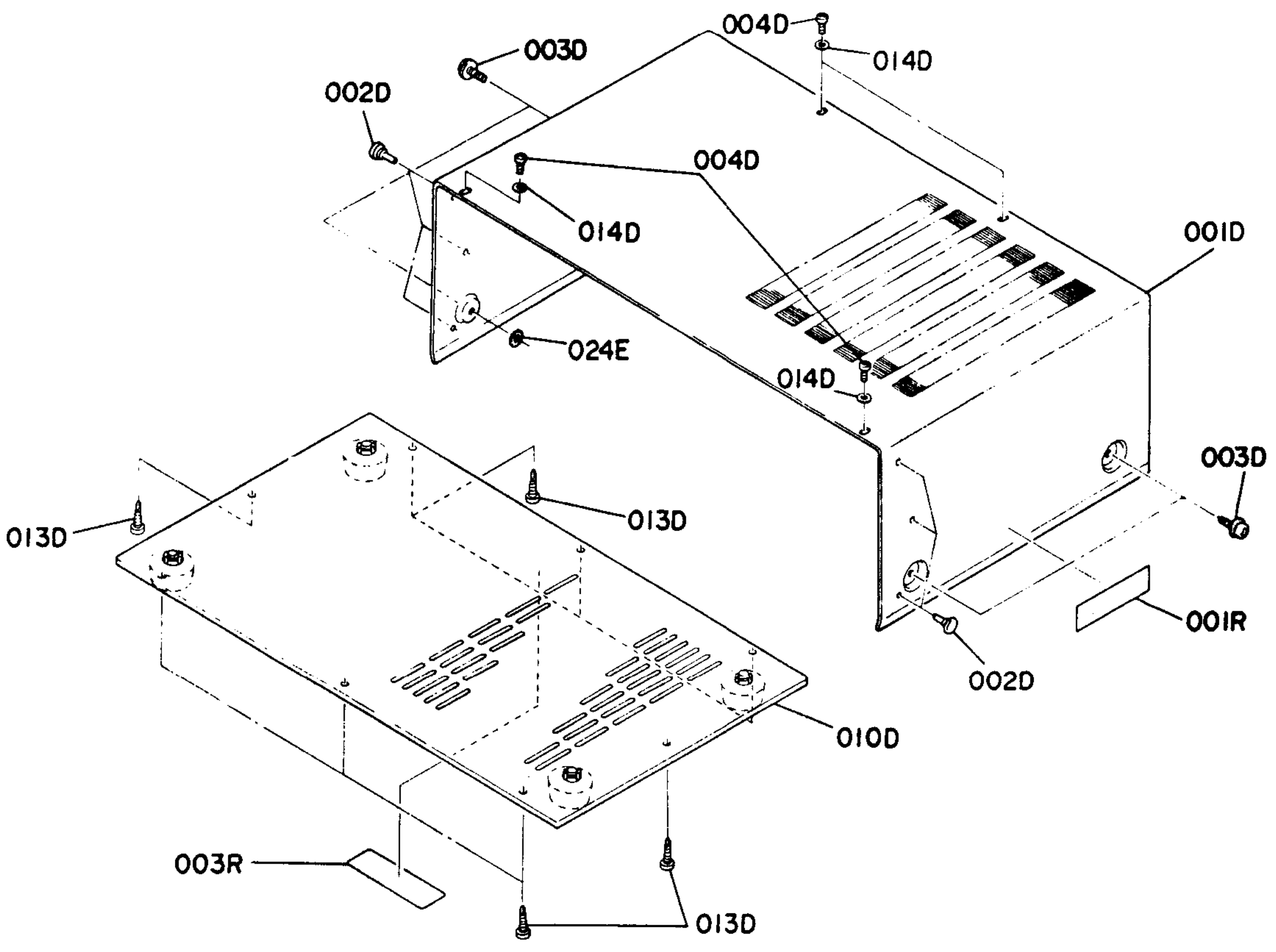


REF. DESIG.	Q'TY N	PART NO.	DESCRIPTION
A	1	2230063400	<b>M1050, ONLY</b> Front Panel Assembly
001C	1	2230063012	Escutcheon
010C	2	2970259010	Bushing
011C	1	2926259042	Bushing
012C	4	2978259012	Bushing
015C	1	2970303012	Mask
016C	1	2926303020	Mask
A	1	2274063400	<b>M1072, ONLY</b> Front Panel Assembly (Gold)
A1	1	2274063410	Front Panel Assembly (Black)
001C	1	2274063012	Escutcheon (Gold)
001C	1	2274063112	Escutcheon (Black)
010C	2	2970259010	Bushing
011C	1	2926259042	Bushing
012C	4	2978259012	Bushing
015C	1	2970303012	Mask
016C	1	2926303020	Mask

REF. DESIG.	Q'TY N	PART NO.	DESCRIPTION
005C	4	2258154010	Knob
006C	3	2970154012	Knob
019C	3	51280308B0	B.H. Tapped Screw B3 x 8
020C	2	51340306B0	F.H. Tapped Screw F3 x 6

M 7051

● [C02-99] Lid. (Top cover)

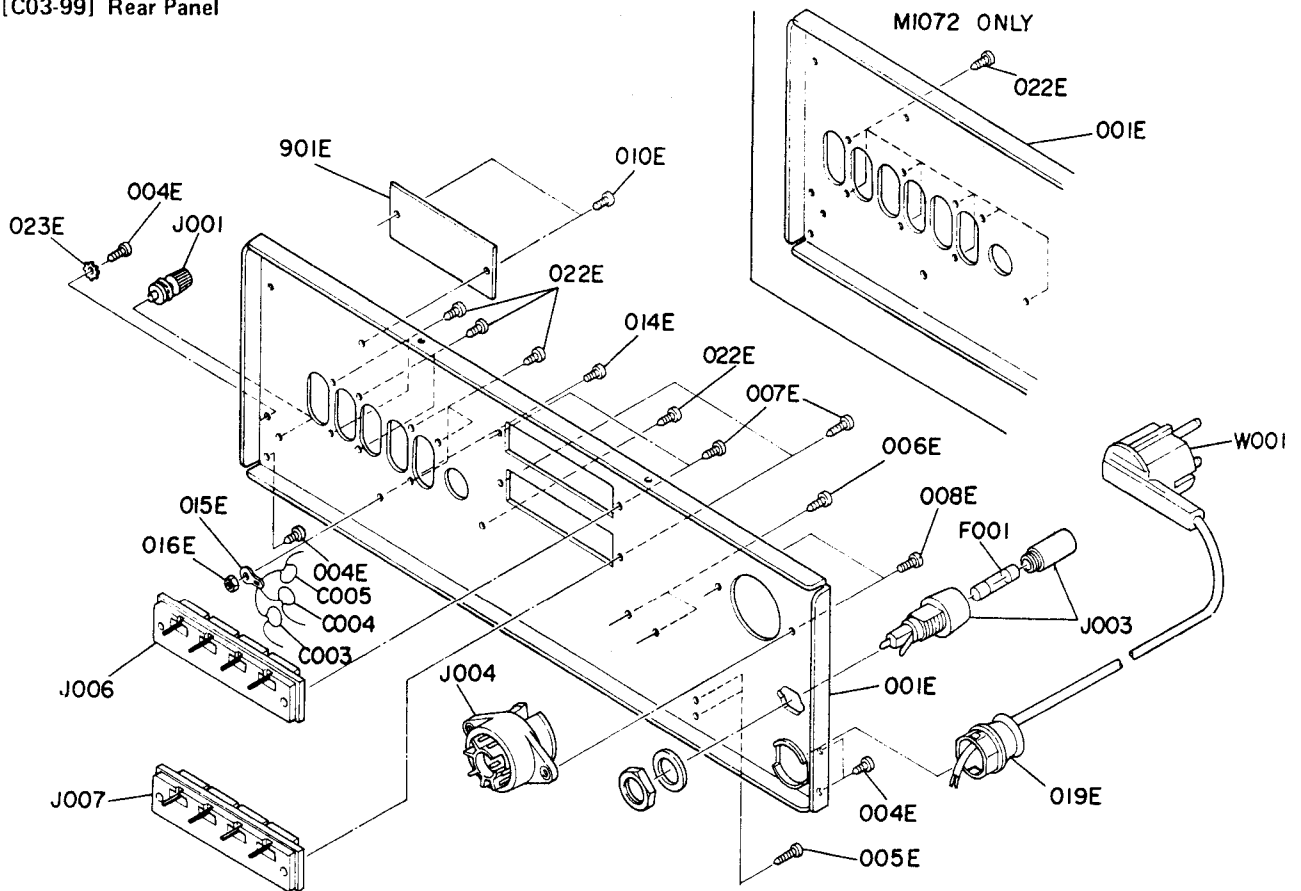


REF. DESIG.	Q'TY	PART NO.	DESCRIPTION
	N		
001D	1	2258257010	Lid, Top Cover
002D	6	2991259010	Bushing
003D	4	51260408U0	F. Washer Screw F4 x 8
004D	4	51280308U0	B.H. Tapped Screw B3 x 8
010D	1	2258257502	Lid Assembly Bottom Cover
013D	8	51280410U0	B.H. Tapped Screw B4 x 10
014D	4	59030805P1	Washer

REF. DESIG.	Q'TY	PART NO.	DESCRIPTION
	N		
024E	1	54050400R0	T.L. Washer, OR
001R	1	2932861012	Label
003R	1	2578861010	Label

M7052

• [C03-99] Rear Panel



REF. DESIG.	Q'TY	PART NO.	DESCRIPTION
	N		
001E	1	2230160223	(M1050, ONLY) Bracket, Rear Panel
001E	1	2274160223	(M1072, ONLY) Bracket, Rear Panel
004E	4	51280308U0	B.H. Tapped Screw B3 x 8
005E	2	51280308U0	B.H. Tapped Screw B3 x 8
006E	2	51280308U0	B.H. Tapped Screw B3 x 8
007E	4	51280308U0	B.H. Tapped Screw B3 x 8
008E	2	51100308S9	B.H.M. Screw B3 x 8
010E	2	51760306B0	OS Tapped Screw B3 x 6
014E	1	51100306S9	B.H.M. Screw B3 x 6
015E	1	62030049W0	Lug
016E	1	53110303A9	Hexagon Nut
019E	1	2286259110	Bushing
022E	8	51280308U0	B.H. Tapped Screw B3 x 8
023E	1	54050300R0	T.L. Washer OR

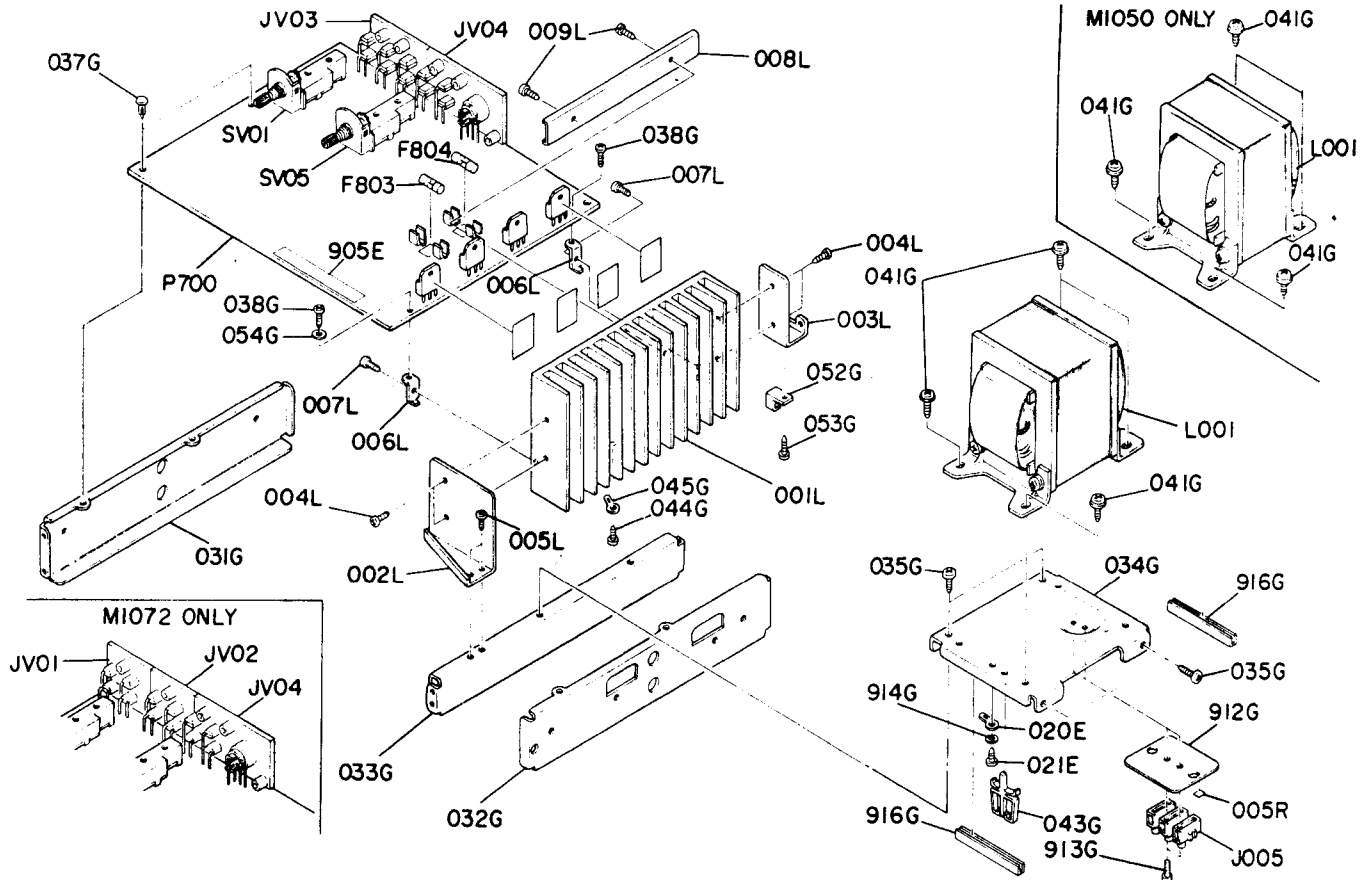
REF. DESIG.	Q'TY	PART NO.	DESCRIPTION
	N		
901E	1	2230265010	Indicator (M1050, ONLY)
901E	1	2274265010	Indicator (M1072, ONLY)
C003	1	DK18103310	Ceramic Cap. 0.01 $\mu$ F +100% -0
C004	1	DK18103310	Ceramic Cap. 0.01 $\mu$ F +100% -0
C005	1	DK18103310	Ceramic Cap. 0.01 $\mu$ F +100% -0
F001	1	FS10063800	Fuse 630mA (M1050, ONLY)
F001	1	FS10080800	Fuse 800mA (M1072, ONLY)
J001	1	YL03010240	Terminal
J003	1	YJ08000220	Jack, Fuse Holder
J004	1	BY03110010	Plug, Voltage Selector
J006	1	YT03040160	Terminal
J007	1	YT03040160	Terminal
W001	1	YC01900030	A.C. Power Cord

M 70 53





• [P02-99] Main P.W. Board and General Parts

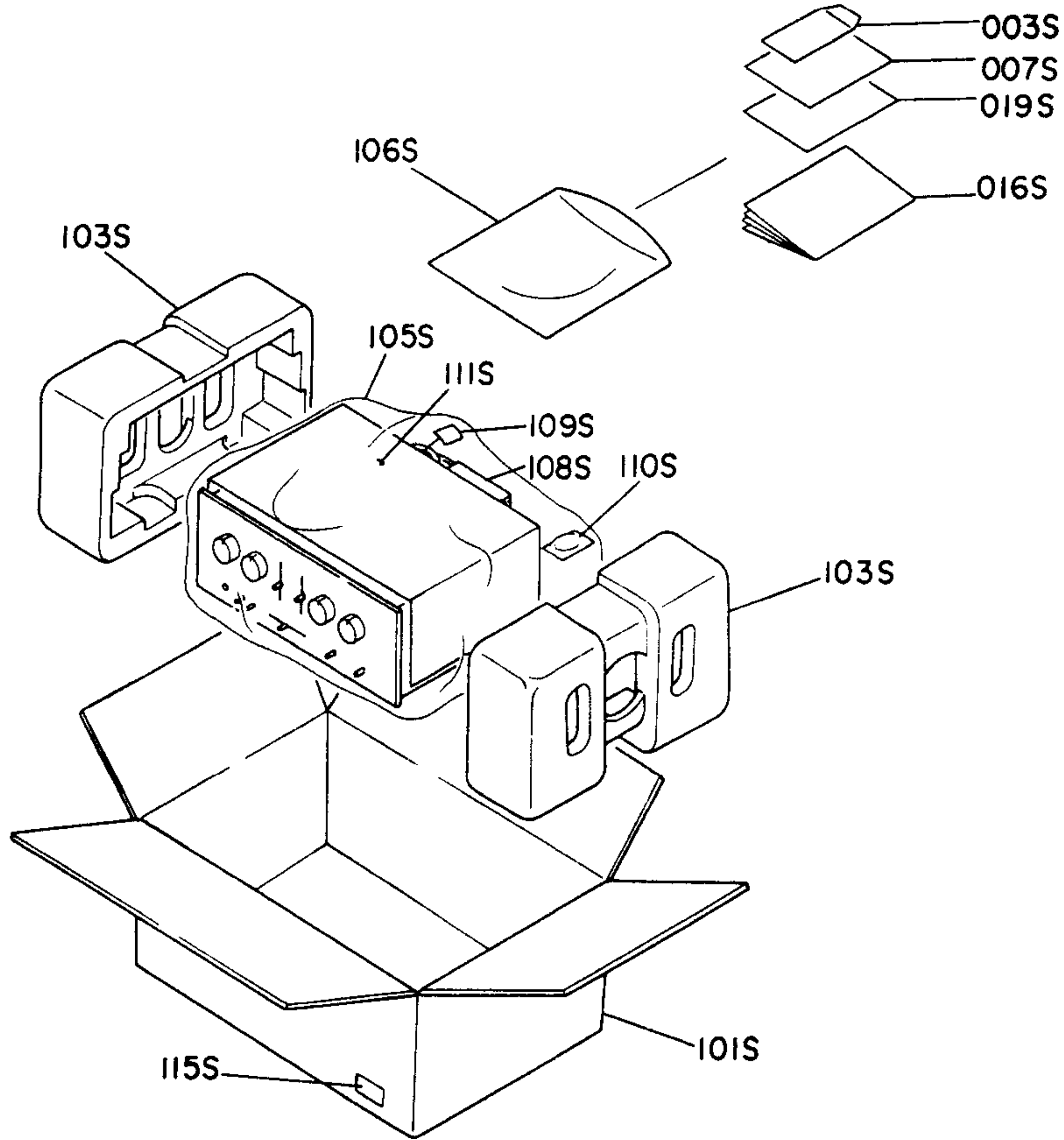


REF. DESIG.	Q'TY N	PART NO.	DESCRIPTION
020E	1	62030049W0	Lug
021E	1	51280306B0	B.H. Tapped Screw B3 x 6
905E	1	2205861010	Label
031G	1	2258126010	Stay, Left
032G	1	2258126020	Stay, Right
033G	1	2258126030	Stay, Center
034G	1	2258160022	Bracket (M1050, ONLY)
034G	1	2274160020	Bracket (M1072, ONLY)
035G	4	51280408B0	B.H. Tapped Screw B4 x 8
037G	2	2276005050	Clamper
038G	2	51280308B0	B.H. Tapped Screw B3 x 8
041G	4	51490512A9	L. Washer Screw L5 x 12
043G	1	2886005030	Clamper
044G	1	51280306B0	B.H. Tapped Screw B3 x 6
045G	1	52040029W0	Lug
052G	1	2887005012	Clamper
053G	1	51280308B0	B.H. Tapped Screw B3 x 8
054G	1	2258118010	Spacer
912G	1	2970120040	Insulator
913G	2	51280314B0	B.H. Tapped Screw B3 x 14
914G	1	54040302A0	Spring Washer
916G	2	2218259020	Bushing
001L	1	2274267012	Heatsink
002L	1	2258160040	Bracket
003L	1	2258160050	Bracket
004L	4	51280308B0	B.H. Tapped Screw B3 x 8
005L	2	51280308B0	B.H. Tapped Screw B3 x 8

REF. DESIG.	Q'TY N	PART NO.	DESCRIPTION
006L	2	2231160040	Bracket
007L	2	51280308B0	B.H. Tapped Screw B3 x 8
008L	1	2258005010	Clamper
009L	2	51280314B0	B.H. Tapped Screw B3 x 14
005R	1	2882861020	Label
J005	1	YL09030010	Terminal
L001	1	TS18304010	Power Transformer (M1050, ONLY)
L001	1	TS18303010	Power Transformer (M1072, ONLY)
P700	1	YG22740010	P.W. Board, Main (M1050, ONLY)
	1	ZZ22300010	P.W. Board Assembly
P700	1	YG22740010	P.W. Board, Main (M1072, ONLY)
	1	ZZ22748010	P.W. Board Assembly
F803	1	FS10350800	Fuse 3.5AT
F804	1	FS10350800	Fuse 3.5AT
JV01	1	YT02040280	Terminal (M1072, ONLY)
JV02	1	YT02040280	Terminal (M1072, ONLY)
JV03	1	YT02060140	Terminal (M1050, ONLY)
JV04	1	YT02050010	Terminal
SV01	1	SR04030220	Rotary Switch (M1050, ONLY)
SV01	1	SR04040130	Rotary Switch (M1072, ONLY)
SV05	1	SR04020150	Rotary Switch

M7055

• [H01-99] Packing Materials



REF. DESIG.	Q'TY	PART NO.	DESCRIPTION
	N		
003S	1	2818813010	Envelope
007S	1	9630000180	Guarantee Card
016S	1	2230851310	Instructions
019S	1	2230851030	Instructions (M1050, ONLY)
019S	1	2274851030	Instructions (M1072, ONLY)
101S	1	2230801012	Packing Case (M1050, ONLY)
101S	1	2274801012	Packing Case (M1072, ONLY)
103S	2	4214809013	Cushion
105S	1	9014335330	Polyethy Bag
106S	1	9013025010	Polyethy Bag

REF. DESIG.	Q'TY	PART NO.	DESCRIPTION
	N		
108S	1	2864804010	Sleeve
109S	1	9560000043	Hang Tag
110S	1	2731821010	Silicagel
111S	1	2918107160	Sheet
115S	3	9526019060	Serial No. Card

M7056



### 13. ELECTRICAL PARTS LIST

REF. DESIG.	QTY		PART NO.	DESCRIPTION
	N			
P700	1		YG22740010	P700-MAIN CIRCUIT BOARD (M1050, ONLY)
	1		ZZ22300010	P.W. Board, Main P.W. Board Assembly
P700	1		YG22740010	(M1072, ONLY)
	1		ZZ22748010	P.W. Board, Main P.W. Board Assembly
<b>P700-CAPACITORS</b>				
C401	1		EA47503590	Elect 4.7 $\mu$ F 35V
C402	1		EA47503590	Elect 4.7 $\mu$ F 35V
C403	1		DD16820010	Ceramic 82pF $\pm$ 10%
C404	1		DD16820010	Ceramic 82pF $\pm$ 10%
C405	1		EA10701090	Elect 100 $\mu$ F 10V
C406	1		EA10701090	Elect 100 $\mu$ F 10V
C407	1		DF15472300	Film 0.0047 $\mu$ F $\pm$ 5%
C408	1		DF15472300	Film 0.0047 $\mu$ F $\pm$ 5%
C409	1		DF15562300	Film 0.0056 $\mu$ F $\pm$ 5%
C410	1		DF15562300	Film 0.0056 $\mu$ F $\pm$ 5%
C411	1		DF15152300	Film 0.0015 $\mu$ F $\pm$ 5%
C412	1		DF15152300	Film 0.0015 $\mu$ F $\pm$ 5%
C413	1		DF15102300	Film 0.001 $\mu$ F $\pm$ 5%
C414	1		DF15102300	Film 0.001 $\mu$ F $\pm$ 5%
C415	1		EA33700690	Elect 330 $\mu$ F 6.3V
C416	1		EA33700690	Elect 330 $\mu$ F 6.3V
C417	1		EA22505090	Elect 2.2 $\mu$ F 50V
C418	1		EA22505090	Elect 2.2 $\mu$ F 50V
C419	1		EA10701690	Elect 100 $\mu$ F 16V
C420	1		EA10703590	Elect 100 $\mu$ F 35V
C421	1		DD15560370	Ceramic 56pF $\pm$ 5%
C422	1		DD15560370	Ceramic 56pF $\pm$ 5%
C701	1		DD15151370	Ceramic 150pF $\pm$ 5%
C702	1		DD15151370	Ceramic 150pF $\pm$ 5%
C703	1		EA10701090	Elect 100 $\mu$ F 10V
C704	1		EA10701090	Elect 100 $\mu$ F 10V
C705	1		DD15180370	Ceramic 18pF $\pm$ 5%
C706	1		DD15180370	Ceramic 18pF $\pm$ 5%
C707	1		EA47605090	Elect 47 $\mu$ F 50V
C708	1		EA47605090	Elect 47 $\mu$ F 50V
C711	1		DK16221510	Ceramic 220pF $\pm$ 10% 500V
C712	1		DK16221510	Ceramic 220pF $\pm$ 10% 500V
C717	1		DF17104540	Film 0.1 $\mu$ F $\pm$ 20% 100V
C718	1		DF17104540	Film 0.1 $\mu$ F $\pm$ 20% 100V
C720	1		EA10705090	Elect 100 $\mu$ F 50V
C721	1		EA10705090	Elect 100 $\mu$ F 50V
C722	1		EA10705090	Elect 100 $\mu$ F 50V
C723	1		DK16221510	Ceramic 220pF $\pm$ 10% 500V
C724	1		DK16221510	Ceramic 220pF $\pm$ 10% 500V
C801	1		EA47705090	Elect 470 $\mu$ F 50V
C802	1		EA10701690	Elect 100 $\mu$ F 16V
C803	1		EA22601090	Elect 22 $\mu$ F 10V
C804	1		EA47601690	Elect 47 $\mu$ F 16V
C805	1		EA33505090	Elect 3.3 $\mu$ F 50V
C806	1		DF17102010	Film 0.001 $\mu$ F $\pm$ 20%
C807	1		EA47603590	Elect 47 $\mu$ F 35V
C808	1		EB68805020	Elect 6800 $\mu$ F 50V
C809	1		EB68805020	Elect 6800 $\mu$ F 50V
C810	1		DK18103510	Ceramic 0.01 $\mu$ F 500V
C811	1		DK18103510	Ceramic 0.01 $\mu$ F 500V
C812	1		EA10701690	Elect 100 $\mu$ F 16V
C813	1		EA47605090	Elect 47 $\mu$ F 50V

REF. DESIG.	QTY		PART NO.	DESCRIPTION
	N			
CE01	1		EA47503590	Elect 4.7 $\mu$ F 35V
CE02	1		EA47503590	Elect 4.7 $\mu$ F 35V
CE03	1		DD15680370	Ceramic 68pF $\pm$ 5%
CE04	1		DD15680370	Ceramic 68pF $\pm$ 5%
CE11	1		EA47601090	Elect 47 $\mu$ F 10V
CE12	1		EA47601090	Elect 47 $\mu$ F 10V
CE13	1		EA47503590	Elect 4.7 $\mu$ F 35V
CE14	1		EA47503590	Elect 4.7 $\mu$ F 35V
CE17	1		DD15331370	Ceramic 330pF $\pm$ 5%
CE18	1		DD15331370	Ceramic 330pF $\pm$ 5%
CH01	1		DF16104300	Film 0.1 $\mu$ F $\pm$ 10%
CH02	1		DF16104300	Film 0.1 $\mu$ F $\pm$ 10%
CH03	1		DF16104300	Film 0.1 $\mu$ F $\pm$ 10%
CH04	1		DF16104300	Film 0.1 $\mu$ F $\pm$ 10%
CN01	1		DF16332300	Film 0.0033 $\mu$ F $\pm$ 10%
CN02	1		DF16332300	Film 0.0033 $\mu$ F $\pm$ 10%
CN03	1		DF16332300	Film 0.0033 $\mu$ F $\pm$ 10%
CN04	1		DF16332300	Film 0.0033 $\mu$ F $\pm$ 10%
CN21	1		EA33700690	Elect 330 $\mu$ F 6.3V
CN22	1		EA47405090	Elect 0.47 $\mu$ F 50V
<b>P700-RESISTORS</b> (All Resistors are $\pm$ 5% and $\frac{1}{4}$ W)				
R401	1		GD05471140	470 $\Omega$
R402	1		GD05471140	470 $\Omega$
R403	1		GD05513140	51K $\Omega$
R404	1		GD05513140	51K $\Omega$
R405	1		GD05184140	180K $\Omega$
R406	1		GD05184140	180K $\Omega$
R407	1		GD05183140	18K $\Omega$
R408	1		GD05183140	18K $\Omega$
R409	1		GD05911140	910 $\Omega$
R410	1		GD05911140	910 $\Omega$
R411	1		GD05301140	300 $\Omega$
R412	1		GD05301140	300 $\Omega$
R413	1		GD05564140	560K $\Omega$
R414	1		GD05564140	560K $\Omega$
R415	1		GD05473140	47K $\Omega$
R416	1		GD05473140	47K $\Omega$
R417	1		GD05152140	1.5K $\Omega$
R418	1		GD05152140	1.5K $\Omega$
R421	1		GD05392140	3.9K $\Omega$
R422	1		GD05392140	3.9K $\Omega$
R423	1		GD05271140	270 $\Omega$
R424	1		GD05271140	270 $\Omega$
R425	1		GD05224140	220K $\Omega$
R426	1		GD05224140	220K $\Omega$
R427	1		GD05221140	220 $\Omega$

M7057

REF. DESIG.	Q'TY	PART NO.	DESCRIPTION			
	N					
R428	1	GD05221140	220Ω			
R429	1	GD05474140	470KΩ			
R430	1	GD05474140	470KΩ			
R431	1	GG05201140	200Ω			
R435	1	GD05101140	100Ω			
R436	1	GD05101140	100Ω			
R701	1	GD05471140	470Ω			
R702	1	GD05471140	470Ω			
R703	1	GD05563140	56KΩ			
R704	1	GD05563140	56KΩ			
R705	1	GD05102140	1KΩ			
R706	1	GD05102140	1KΩ			
R707	1	GD05103140	10KΩ			
R708	1	GD05103140	10KΩ			
R711	1	GD05152140	1.5KΩ			
R712	1	GD05152140	1.5KΩ			
R713	1	GD05332140	3.3KΩ			
R714	1	GD05332140	3.3KΩ			
R715	1	GD05332140	3.3KΩ			
R716	1	GD05332140	3.3KΩ			
R717	1	RA02020180	Trimming, 2KΩ			
R718	1	RA02020180	Trimming, 2KΩ			
R719	1	GG05151140	150Ω			
R720	1	GG05151140	150Ω			
R721	1	GG05201120	200Ω	½W		
R722	1	GG05201120	200Ω	½W		
R723	1	GB05272020	0.27Ω	2W		
R724	1	GB05272020	0.27Ω	2W		
R725	1	GB05272020	0.27Ω	2W		
R726	1	GB05272020	0.27Ω	2W		
R727	1	GA05100020	10Ω	2W		
R728	1	GA05100020	10Ω	2W		
R729	1	RC10022120	2.2Ω	±10%	½W	
R730	1	RC10022120	2.2Ω	±10%	½W	
R733	1	GD05122140	1.2KΩ			
R734	1	GD05122140	1.2KΩ			
R739	1	GG05222140	2.2KΩ			
R741	1	GG05330140	33Ω			
R742	1	GG05330140	33Ω			
R743	1	GD05222140	2.2KΩ			
R744	1	GD05222140	2.2KΩ			
R801	1	GG05472140	4.7KΩ			
R802	1	GG05472140	4.7KΩ			
R803	1	GG05242120	2.4KΩ	½W		
R804	1	GD05183140	18KΩ			
R805	1	GD05572140	7.5KΩ			
R806	1	RF05221140	220Ω			
R808	1	GG05332120	3.3KΩ	½W		
R809	1	RF05100140	10Ω			
			(M1050, ONLY)			
R709	1	GD05273140	27KΩ			
R710	1	GD05273140	27KΩ			
			(M1072, ONLY)			
R709	1	GD05333140	33KΩ			
R710	1	GD05333140	33KΩ			

REF. DESIG.	Q'TY	PART NO.	DESCRIPTION			
	N					
RE01	1	GD05471140	470Ω			
RE02	1	GD05471140	470Ω			
RE03	1	GD05104140	100KΩ			
RE04	1	GD05103140	100KΩ			
RE05	1	GD05204140	200KΩ			
RE06	1	GD05204140	200KΩ			
RE07	1	GD05153140	15KΩ			
RE08	1	GD05153140	15KΩ			
RE09	1	GD05223140	22KΩ			
RE10	1	GD05223140	22KΩ			
RE11	1	GD05152140	1.5KΩ			
RE12	1	GD05152140	1.5KΩ			
RE15	1	GD05105140	1MΩ			
RE16	1	GD05105140	1MΩ			
RE17	1	GD05432140	4.3KΩ			
RE18	1	GD05432140	4.3KΩ			
RE19	1	GD05471140	470Ω			
RE20	1	GD05471140	470Ω			
RE21	1	GD05202140	2KΩ			
RE22	1	GD05202140	2KΩ			
RH01	1	GD05623140	62KΩ			
RH02	1	GD05623140	62KΩ			
RH03	1	GD05333140	33KΩ			
RH04	1	GD05333140	33KΩ			
RH05	1	GD05392140	3.9KΩ			
RH06	1	GD05392140	3.9KΩ			
RH07	1	GD05114140	110KΩ			
RH08	1	GD05114140	110KΩ			
			(M1050, ONLY)			
RN01	1	GD05822140	8.2KΩ			
RN02	1	GD05822140	8.2KΩ			
RN03	1	GD05822140	8.2KΩ			
RN04	1	GD05822140	8.2KΩ			
RN05	1	GD05303140	30KΩ			
RN06	1	GD05303140	30KΩ			
			(M1072, ONLY)			
RN01	1	GD05682140	6.8KΩ			
RN02	1	GD05682140	6.8KΩ			
RN03	1	GD05682140	6.8KΩ			
RN04	1	GD05682140	6.8KΩ			
RN05	1	GD05473140	47KΩ			
RN06	1	GD05473140	47KΩ			
RN07	1	GG05471140	470Ω			
RN08	1	GG05471140	470Ω			
RN09	1	GG05471140	470Ω			
RN10	1	GG05471140	470Ω			
RN22	1	GD05682140	6.8KΩ			
RN23	1	GD05434140	430KΩ			
RN25	1	GD05224140	220KΩ			
RN26	1	GD05124140	120KΩ			

M7058

REF. DESIG.	QTY	PART NO.	DESCRIPTION
	N		
RN21	1	GD05103140	(M1050, ONLY) 10K $\Omega$
RN24	1	GD05124140	120K $\Omega$
RN21	1	GD05153140	(M1072, ONLY) 15K $\Omega$
RN24	1	GD05224140	220K $\Omega$
RV01	1	GD05104140	100K $\Omega$
RV02	1	GD05104140	100K $\Omega$
RV03	1	GD05394140	390K $\Omega$
RV04	1	GD05394140	390K $\Omega$
<b>P700-SEMICONDUCTORS</b>			
Q401	1	HT110392A0	Transistor 2SA1039 (R or S)
Q402	1	HT110392A0	Transistor 2SA1039 (R or S)
Q403	1	HT323902A0	Transistor 2SC2390 (R or S)
Q404	1	HT323902A0	Transistor 2SC2390 (R or S)
Q405	1	HT323902A0	Transistor 2SC2390 (R or S)
Q406	1	HT323902A0	Transistor 2SC2390 (R or S)
Q701	1	HT110392A0	Transistor 2SA1039 (R or S)
Q702	1	HT110392A0	Transistor 2SA1039 (R or S)
Q703	1	HT110392A0	Transistor 2SA1039 (R or S)
Q704	1	HT110392A0	Transistor 2SA1039 (R or S)
Q705	1	HT323902A0	Transistor 2SC2390 (R or S)
Q706	1	HT323902A0	Transistor 2SC2390 (R or S)
Q707	1	HT322352A0	Transistor 2SC2235 (O or Y)
Q708	1	HT322352A0	Transistor 2SC2235 (O or Y)
Q709	1	HT323902B0	Transistor 2SC2390 (S or E)
Q710	1	HT323902B0	Transistor 2SC2390 (S or E)
Q719	1	HD20003210	Diode 1S2471
Q720	1	HD20003210	Diode 1S2471
Q721	1	HD30039090	Zener WZ-240
Q722	1	HD20005010	Diode W06B
<b>(M1050, ONLY)</b>			
Q711	1	HT316272A0	Transistor 2SC1627A (O or Y)
Q712	1	HT316272A0	Transistor 2SC1627A (O or Y)
Q713	1	HT108172A0	Transistor 2SC817A (O or Y)
Q714	1	HT108172A0	Transistor 2SC817A (O or Y)
Q715	1	HT407162A0	Transistor 2SD716 (R or O)
Q716	1	HT407162A0	Transistor 2SD716 (R or O)
Q717	1	HT206862A0	Transistor 2SB686 (R or O)
Q718	1	HT206862A0	Transistor 2SB686 (R or O)
<b>(M1072, ONLY)</b>			
Q711	1	HT322352A0	Transistor 2SC2235 (O or Y)
Q712	1	HT322352A0	Transistor 2SC2235 (O or Y)
Q713	1	HT109652A0	Transistor 2SA965 (O or Y)
Q714	1	HT109652A0	Transistor 2SA965 (O or Y)
Q715	1	HT407182B0	Transistor 2SD718 (R or O)
Q716	1	HT407182B0	Transistor 2SD718 (R or O)
Q717	1	HT206882B0	Transistor 2SB688 (R or O)
Q718	1	HT206882B0	Transistor 2SB688 (R or O)

REF. DESIG.	QTY	PART NO.	DESCRIPTION
	N		
Q801	1	HT316272A0	Transistor 2SC1627A (O or Y)
Q802	1	HT323902B0	Transistor 2SC2390 (S or E)
Q803	1	HD30023090	Zener WZ-071
Q805	1	HD30024090	Zener WZ-120
Q810	1	HD20005010	Diode W06B
Q812	1	HT108172A0	Transistor 2SA817
Q813	1	HT323902B0	Transistor 2SC2390
<b>(M1050, ONLY)</b>			
Q806	1	HD20009290	Diode S2V-20
Q807	1	HD20009290	Diode S2V-20
Q808	1	HD20009290	Diode S2V-20
Q809	1	HD20009290	Diode S2V-20
<b>(M1072, ONLY)</b>			
Q806	1	HD20011290	Diode
Q807	1	HD20911290	Diode
Q808	1	HD20911290	Diode
Q809	1	HD20911290	Diode
QE01	1	HT110392A0	Transistor 2SA1039 (R or S)
QE02	1	HT110392A0	Transistor 2SA1039 (R or S)
QE03	1	HT323902B0	Transistor 2SC2390 (S or E)
QE04	1	HT323902B0	Transistor 2SC2390 (S or E)
QE05	1	HT323902B0	Transistor 2SC2390 (S or E)
QE06	1	HT323902B0	Transistor 2SC2390 (S or E)
QN01	1	HT323902A0	Transistor 2SC2390 (R or S)
QN02	1	HT323902A0	Transistor 2SC2390 (R or S)
QN03	1	HT110392A0	Transistor 2SA1039 (R or S)
QN04	1	HT110392A0	Transistor 2SA1039 (R or S)
QN05	1	HD20001210	Diode 1S2473
QN06	1	HD20001210	Diode 1S2473
QN07	1	HD20001210	Diode 1S2473
QN08	1	HD20001210	Diode 1S2473
QN09	1	HD20001210	Diode 1S2473
QN10	1	HD20001210	Diode 1S2473
QN11	1	HD20001210	Diode 1S2473
QN12	1	HD20001210	Diode 1S2473
QN13	1	HD20005010	Diode W06B
QN14	1	HD20005010	Diode W06B
QN15	1	HD20005010	Diode W06B
QN16	1	HD20005010	Diode W06B
QN21	1	HT323902A0	Transistor 2SC2390 (R or S)
QN22	1	HT323902A0	Transistor 2SC2390 (R or S)
QN23	1	HT110392A0	Transistor 2SA1039 (R or S)
QN24	1	HT110392A0	Transistor 2SA1039 (R or S)
QN25	1	HD30023090	Zener WZ071
QN26	1	HD30023090	Zener WZ071
QN27	1	HT110392A0	Transistor 2SA1039 (R or S)
QN28	1	HT323902A0	Transistor 2SC2390 (R or S)
QN29	1	HD20001210	Diode 1S2473 (M1072, ONLY)
QN30	1	HT110392A0	Transistor 2SA1039 (R or S)
QN31	1	HD20005010	Diode W06B

M 70 59



REF. DESIG.	QTY	PART NO.	DESCRIPTION
	N		
			<b>P700-MISCELLANEOUS</b>
L701	1	LL23915120	Choke Coil
L702	1	LL23915120	Choke Coil
JV01	1	YT02040280	Terminal (M1072, ONLY)
JV02	1	YT02040280	Terminal (M1072, ONLY)
JV03	1	YT02060140	Terminal (M1050, ONLY)
JV04	1	YT02050010	Terminal
SV01	1	SR04030220	Rotary Switch, Selector
SV05	1	SR04020150	Rotary Switch, Monitor
J805			
J808	4	YJ08000270	Jack, Fuse Holder
P811	1	3444118050	Spacer
			<b>PF00-TONE CIRCUIT BOARD</b>
PF00	1	YH22742210	P.W. Board, Tone
	1	ZZ22742210	P.W. Board Assembly
			<b>PF00-CAPACITORS</b>
CF01	1	DF15224300	Film 0.22 $\mu$ F $\pm$ 5%
CF02	1	DF15224300	Film 0.22 $\mu$ F $\pm$ 5%
CF03	1	DF15223300	Film 0.022 $\mu$ F $\pm$ 5%
CF04	1	DF15223300	Film 0.022 $\mu$ F $\pm$ 5%
CF05	1	DF15333300	Film 0.033 $\mu$ F $\pm$ 5%
CF06	1	DF15333300	Film 0.033 $\mu$ F $\pm$ 5%
CF07	1	EA10701090	Elect 100 $\mu$ F 10V
CF08	1	EA10701090	Elect 100 $\mu$ F 10V
CF09	1	DF15332300	Film 0.0033 $\mu$ F $\pm$ 5%
CF10	1	DF15332300	Film 0.0033 $\mu$ F $\pm$ 5%
			<b>PF00-RESISTORS</b> (All Resistors are $\pm$ 5% and $\frac{1}{4}$ W)
RF01	1	RS01040080	Variable Resistor (Bass)
RF02	1	RS01040080	Variable Resistor (Treble)
RF03	1	GD05162140	1.6K $\Omega$
RF04	1	GD05162140	1.6K $\Omega$
RF05	1	GD05153140	15K $\Omega$
RF06	1	GD05153140	15K $\Omega$
RF07	1	GD05183140	18K $\Omega$
RF08	1	GD05183140	18K $\Omega$
RF09	1	GD05431140	430 $\Omega$
RF10	1	GD05431140	430 $\Omega$
RF13	1	GD05392140	3.9K $\Omega$
RF14	1	GD05392140	3.9K $\Omega$

REF. DESIG.	QTY	PART NO.	DESCRIPTION
	N		
			<b>PS00-LOUDNESS CIRCUIT BOARD</b>
PS00	1	YH22741210	P.W. Board, Loudness
	1	ZZ22741210	P.W. Board Assembly
			<b>PS00-CAPACITORS</b>
CS01	1	DK16681300	Ceramic 680pF $\pm$ 10%
CS02	1	DK16681300	Ceramic 680pF $\pm$ 10%
CS03	1	DF15473300	Film 0.047 $\mu$ F $\pm$ 5%
CS04	1	DF15473300	Film 0.047 $\mu$ F $\pm$ 5%
			<b>PS00-RESISTORS</b> (All Resistors are $\pm$ 5% and $\frac{1}{4}$ W)
RS01	1	GD05333140	33K $\Omega$
RS02	1	GD05333140	33K $\Omega$
RS03	1	GD05822140	8.2K $\Omega$
RS04	1	GD05822140	8.2K $\Omega$
			<b>PS00-SWITCH</b>
SS01	1	SP02010260	Push Switch, Loudness
			<b>PS50-VOLUME CIRCUIT BOARD</b>
PS50	1	YH22741220	P.W. Board, Volume
	1	ZZ22741220	P.W. Board Assembly
RS51	1	RM01040230	Variable Resistor 100K $\Omega$ x 2
			<b>PY00-L.E.D CIRCUIT BOARD</b>
PY00	1	YH22742220	P.W. Board, L.E.D
	1	ZZ22742220	P.W. Board Assembly
QY01	1	HI10004030	L.E.D SLP-132B

(W01-99)	Assembly and Wiring
(T01-99)	Adjustment
(X01-00)	Correction

#### 14. TECHNICAL SPECIFICATIONS

##### 14.1 Model 1072

###### AUDIO SECTION

POWER OUTPUT, DIN, 4 OHM, PER CHANNEL	77W
POWER OUTPUT, FTC AMERICAN STANDARDS, 4 OHM, PER CHANNEL	46W
TOTAL HARMONIC DISTORTION AT RATED POWER OUTPUT	0.08%
I.M. DISTORTION AT RATED POWER OUTPUT (250 Hz AND 8 kHz MIXED, AMPLITUDE RATIO 4:1)	0.08%
POWER OUTPUT, DIN, 8 OHM, PER CHANNEL	50W
POWER OUTPUT, FTC AMERICAN STANDARDS, 8 OHM, PER CHANNEL	36W
TOTAL HARMONIC DISTORTION AT RATED POWER OUTPUT	0.05%
I.M. DISTORTION AT RATED POWER OUTPUT (250 Hz AND 8 kHz MIXED, AMPLITUDE RATIO 4:1)	0.05%
POWER BANDWIDTH	15 Hz ~ 60 kHz
DAMPING FACTOR 8 OHM	45

Frequency Response	
Phono (RIAA)	±0.5 dB
Aux (±1 dB)	15 Hz ~ 60 kHz
Input Terminals	
Phono:	
Input Impedance	47k ohms
Input Capacitance	100 pF
Input Sensitivity	2.0 mV
Overload Margin	35 dB
Aux:	
Input Impedance	25k ohms
Input Sensitivity	180 mV
Phono Equivalent Input Noise	0.5 µV
Phono Dynamic Tange (Ratio of input overload to equivalent input noise)	100 dB
Channel Balance (0 to -40 dB/40 Hz ~ 16 kHz)	
Phono	3.0 dB
Aux	3.0 dB
Interchannel Crosstalk	
Phono, 1 kHz	47 dB
Aux, 1 kHz	62 dB
Tape, 1 kHz	62 dB
Intersource Crosstalk (Worst Point), 1 kHz	55 dB
Output Voltage, 1 kHz	
Tape Out	775 mV
Output Impedance, 1 kHz	
Tape Out	220 ohms
Headphone Jack Load Impedance	4 ohms

###### GENERAL

Power Requirements	220V AC, 50 Hz
(E and N versions are featuring an external voltage selector for use on 110/120/240V. Other versions can be converted by a qualified technician to operate on 110/120/240V.)	
Power Consumption at Rated Output, both Channels Driven	160W ± 20W
Idle Power	14W ± 5W
Semiconductor Complement	
Transistors	45
Diodes	26
Dimensions	
Panel Width	416 mm (16-3/8 inches)
Panel Height	146 mm ( 5-3/4 inches)
Depth	240 mm (9-7/16 inches)
Weight	
Unit Alone	8.0 kg (17.6 lbs)
Packed for Shipment	8.5 kg (18.7 lbs)

M 3061

##### 14.2 Model 1050

###### AUDIO SECTION

POWER OUTPUT, DIN, 4 OHM, PER CHANNEL	51W
POWER OUTPUT, FTC AMERICAN STANDARDS, 4 OHM, PER CHANNEL	30W
TOTAL HARMONIC DISTORTION AT RATED POWER OUTPUT	0.1%
I.M. DISTORTION AT RATED POWER OUTPUT (250 Hz AND 8 kHz MIXED, AMPLITUDE RATIO 4:1)	0.1%
POWER OUTPUT, DIN, 8 OHM, PER CHANNEL	40W
POWER OUTPUT, FTC AMERICAN STANDARDS, 8 OHM, PER CHANNEL	25W
TOTAL HARMONIC DISTORTION AT RATED POWER OUTPUT	0.1%
I.M. DISTORTION AT RATED POWER OUTPUT (250 Hz AND 8 kHz MIXED, AMPLITUDE RATIO 4:1)	0.1%
POWER BANDWIDTH	20 Hz ~ 50 kHz
DAMPING FACTOR 8 OHM	45

Frequency Response	
Phono (RIAA)	±0.5 dB
Aux (±1 dB)	20 Hz ~ 50 kHz
Input Terminals	
Phono:	
Input Impedance	47k ohms
Input Capacitance	100 pF
Input Sensitivity	2.1 mV
Overload Margin	35 dB
Aux:	
Input Impedance	25k ohms
Input Sensitivity	180 mV
Phono Equivalent Input Noise	0.5 µV
Phono Dynamic Tange (Ratio of input overload to equivalent input noise)	100 dB
Channel Balance (0 to -40 dB/40 Hz ~ 16 kHz)	
Phono	3.0 dB
Aux	3.0 dB
Interchannel Crosstalk	
Phono, 1 kHz	47 dB
Aux, 1 kHz	62 dB
Tape, 1 kHz	62 dB
Intersource Crosstalk (Worst Point), 1 kHz	55 dB
Output Voltage, 1 kHz	
Tape Out	775 mV
Output Impedance, 1 kHz	
Tape Out	220 ohms
Headphone Jack Load Impedance	4 ohms

###### GENERAL

Power Requirements	220V AC, 50 Hz
(E and N versions are featuring an external voltage selector for use on 110/120/240V. Other versions can be converted by a qualified technician to operate on 110/120/240V.)	
Power Consumption at Rated Output, both Channels Driven	110W ± 20W
Idle Power	11W ± 5W
Semiconductor Complement	
Transistors	45
Diodes	26
Dimensions	
Panel Width	416 mm (16-3/8 inches)
Panel Height	146 mm ( 5-3/4 inches)
Depth	240 mm (9-7/16 inches)
Weight	
Unit Alone	7.0 kg (15.4 lbs)
Packed for Shipment	7.5 kg (16.5 lbs)

NOTICE : We hereunder show the substitute transistors stated in the parts list. In your ordering the parts from now on, please place your order of the parts in the column (B).

(A)	(B)
(1) HT323902A0 (2SC2390) REF. DESIG. NO, (QN01, QN02, QN21, QN22, QN28, Q403 ~ Q406, Q705, Q706, Q709, Q710)	HT314001E0 (2SC1400)
(2) HT323902B0 (2SC2390) REF. DESIG. NO, (Q802, Q813, QE03, QE04, QE05, QE06)	HT314001E0 (2SC1400)
(3) HT110392A0 (2SA1039) REF. DESIG. NO, (QE01, QE02, QN03, QN04, QN23, QN24, QN27, QN30, Q401, Q402, Q701, Q702, Q703, Q704)	HT107502CO (2SA750)

M 7062